

TYRE VALVES

TR413

51741

0,01 100 1.000 48.000
Kg SUB ff



x100



TR414

51742

0,01 100 1.000 48.000
Kg SUB ff

TR418

51743

0,01 100 1.000 48.000
Kg SUB ff



TIRE VALVE INSTALL TOOL

- To mount valves in vehicle tires.

METAL

52649

0,32 10 50 2.250
Kg SUB ff



PLASTIC

52650

0,12 10 100 2.400
Kg SUB ff



MULTI TOOL BIKE

52654

0,24 25 100 800
Kg SUB ff



- Allen key: 4 - 3 - 2,5 - 2mm.
- Key 12 point: 9, 10, 12, 13, 15mm.
- Screwdriver PH1.
- Flat head SL1.
- Allen bit 5 - 6mm.
- Sockets Ø6mm.



TIRE REPAIRING ROLLER

52842

0,15 10 100 1.500
Kg SUB ff

38mm



3 PCS WHEEL RIM PROTECTION SET

53419

0,1 10 100 600
Kg SUB ff

3 PCS



CROSS WRENCH WELDED JOINT

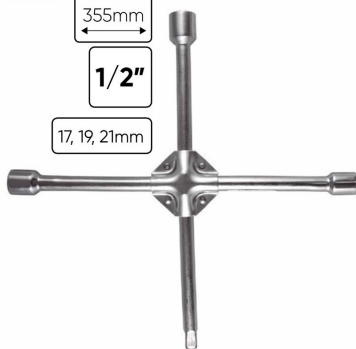
51661

1,17 5 20 480
Kg SUB ff

355mm

1/2"

17, 19, 21mm



52881

1,4 10 420
Kg SUB ff

400mm

1/2"

17, 19, 21, 22mm



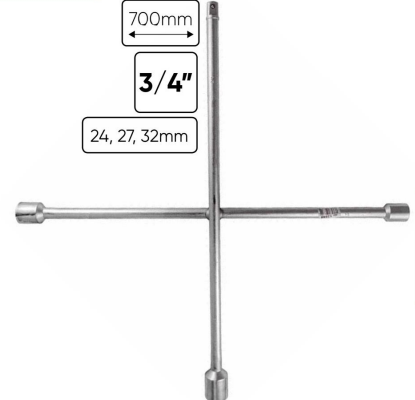
52880

3,75 5 100
Kg SUB ff

700mm

3/4"

24, 27, 32mm



EXTENSIBLE WHEEL WRENCH WITH REVERSIBLE SOCKETS

51416

1,09 10 20 600
Kg SUB ff

330-490mm

1/2"



CHROME

21mm / 23mm

17mm / 19mm



FOR TIRES